

PRINTRONIX®

Quick Setup Guide



SL4M™ and T4M™
RFID Smart Label and Thermal Printers

NOTICE

This Quick Setup Guide contains a CD-ROM, located in a plastic pocket in the back cover, with the following material:

- Printer Setup Wizard
- Windows Drivers
- Label Design Software
- Network and RFID Solutions
- Manuals
- Contact Us

Save this guide. If you move your printer to a different location in the future, you may need these instructions again.

Introduction

Thank you for your purchase of the SL4M RFID Smart Label printer or T4M thermal printer.

This *Quick Setup Guide* describes how to set up the printer, load ribbon and media, and print a test page.

NOTE: This *Quick Setup Guide* covers both the SL4M and T4M printers.

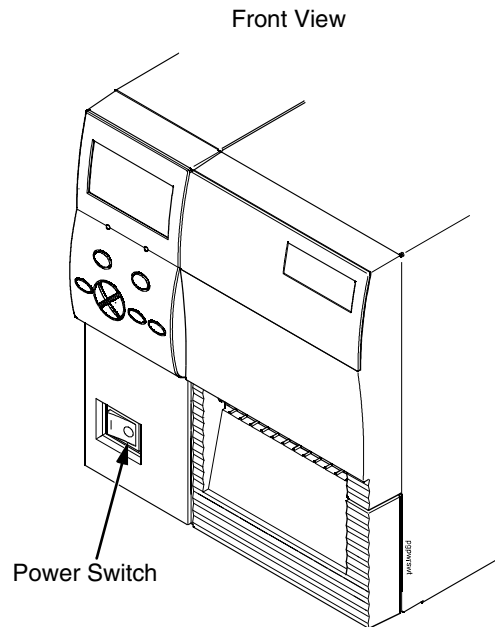
The SL4M is a smart label printer. It is equipped with an RFID encoder and has the “RFID SMART” logo near the control panel.



The T4M printer does not come equipped with an RFID encoder, but can be upgraded in the field.

Printer Setup

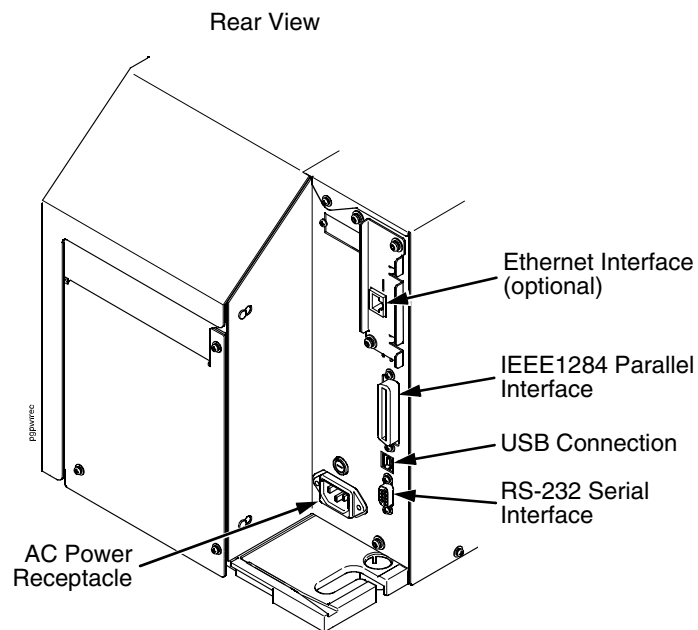
Printer Setup



1. Place the printer on a flat level surface that allows easy access to all sides of the printer.

CAUTION Never operate the printer on its side or upside down.

2. At the front of the printer, set the power switch to O (Off).



3. At the rear of the printer, connect the desired interface cable to the appropriate connector and the host computer.

WARNING

Failure to properly ground the printer may result in electric shock to the operator.

In compliance with international safety standards, this printer has been equipped with a three-pronged power cord. Do not use adapter plugs or remove the grounding prong from the cable plug. If an extension cord is required, ensure that a three-wire cable with a properly grounded plug is used.

4. Plug the AC power cord into the AC power receptacle.
5. Plug the AC power cord to a grounded (three prong) electrical outlet of the proper voltage. (Do not turn on the printer yet.)

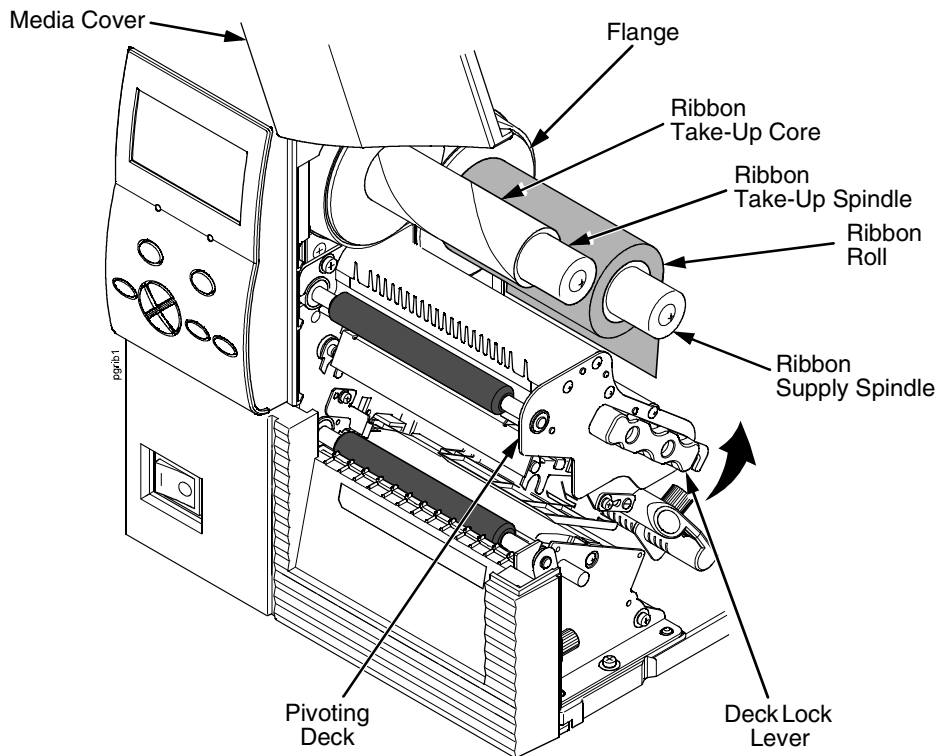
Loading Ribbon And Roll Media

Loading Ribbon And Roll Media

- IMPORTANT** For best results, use only genuine Printronix supplies. See “Printronix Supplies Department” on page 18.
- CAUTION** DO NOT TOUCH the printhead or the electronic components under the printhead assembly.
- CAUTION** Do not close the pivoting deck without label stock installed between the printhead and the platen, because debris on the platen may damage the printhead.
- CAUTION** Avoid touching the electrical connectors while setting up the printer to prevent electrostatic discharge damage. The discharge of accumulated electrostatic energy can damage or destroy the printhead or electronic components used in this printer.

Load Ribbon

For direct thermal media (no ribbon required), go to page 10.



IMPORTANT

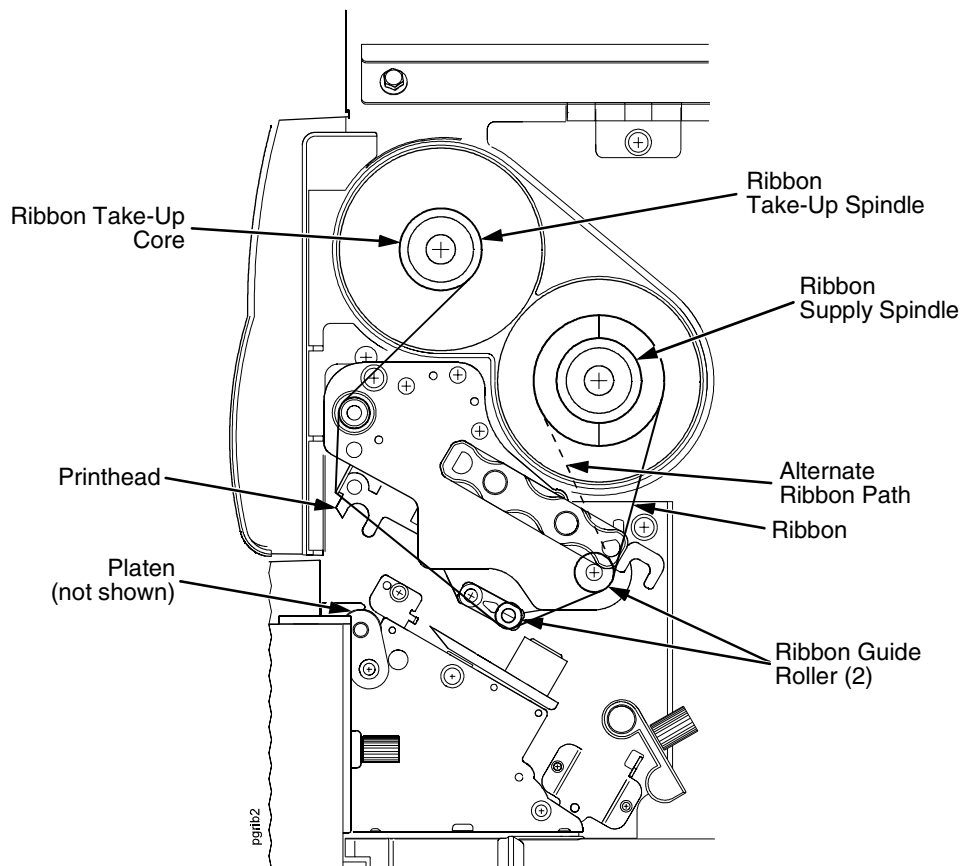
Clean the printhead, platen roller, and media sensors every time you change the ribbon. Refer to the *User's Manual*.

1. Raise the media cover.
2. Install the ribbon take-up core on the ribbon take-up spindle.

NOTE: The first ribbon take-up core comes with the printer. Thereafter, move the empty core from the ribbon supply spindle to the take-up spindle after the ribbon is used up.

3. Slide the ribbon roll onto the ribbon supply spindle until it is flush with the flange.
4. Open the pivoting deck by rotating the deck lock lever fully counterclockwise until the deck swings upward.

Loading Ribbon And Roll Media

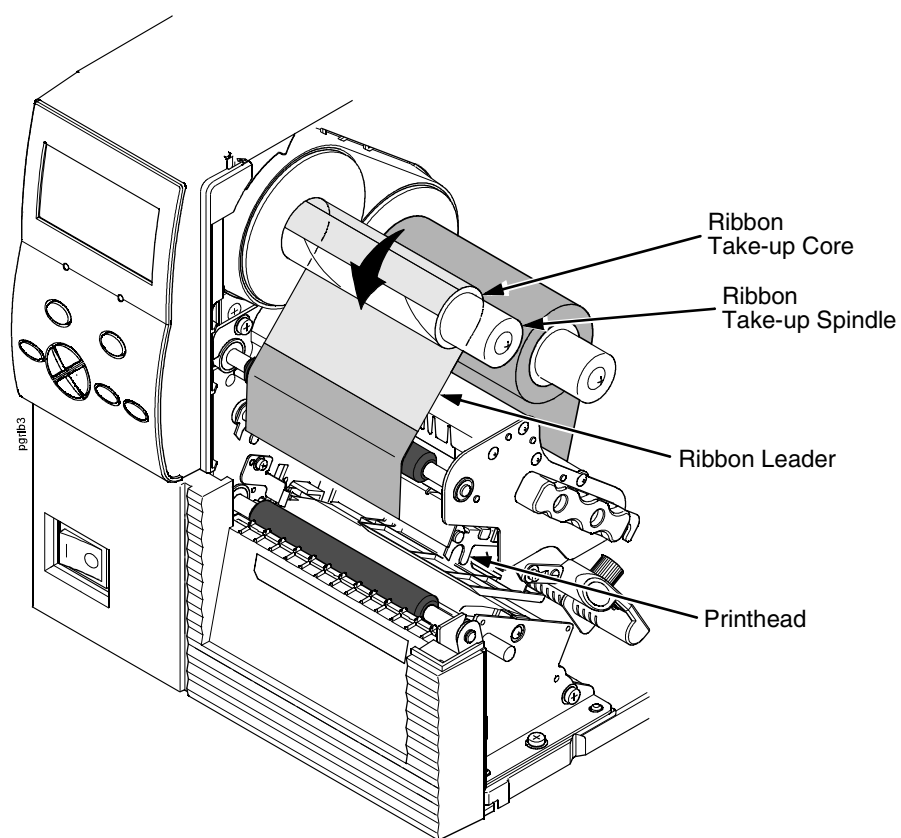


5. Thread the end of the ribbon under the ribbon guide rollers, between the platen (rubber drive roller) and the printhead, and between the ribbon take-up and supply spindles.

NOTE: Make sure to thread the ribbon behind the ribbon take-up spindle.

NOTE: The alternate ribbon path is for ribbons that are inked on the inside.

Load Ribbon

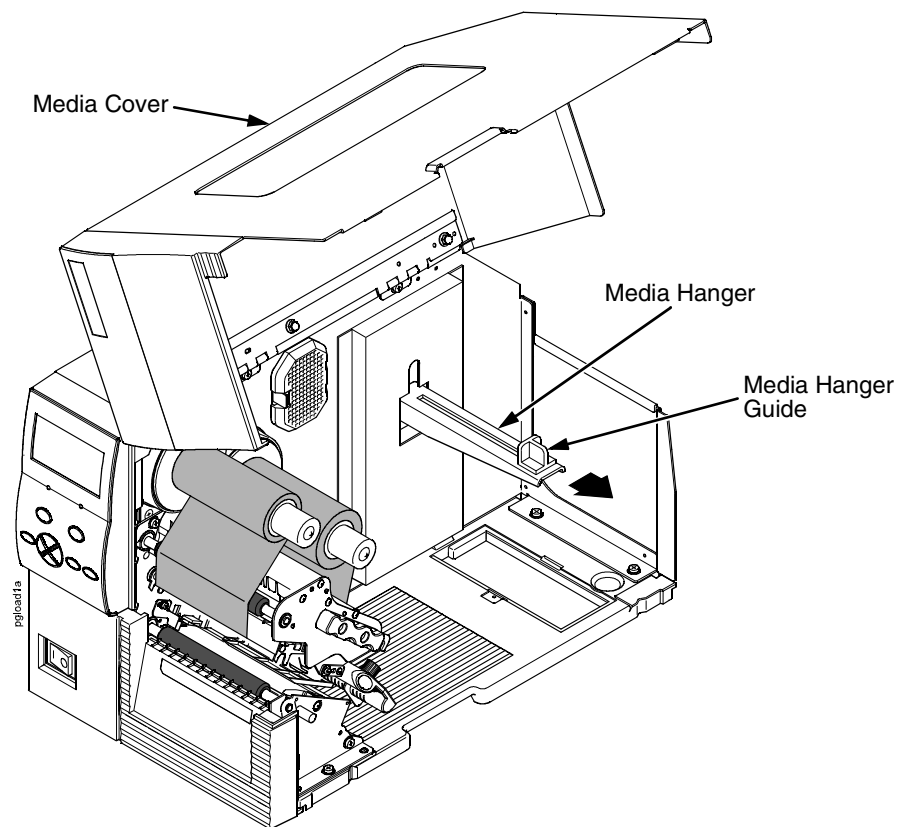


IMPORTANT Never attach the ribbon to the ribbon take-up spindle without a ribbon take-up core installed.

6. Attach the ribbon to the ribbon take-up core on the ribbon take-up spindle with tape.
7. Manually rotate the ribbon take-up spindle counterclockwise until the ribbon leader has passed the printhead.

Loading Ribbon And Roll Media

Load Roll Media

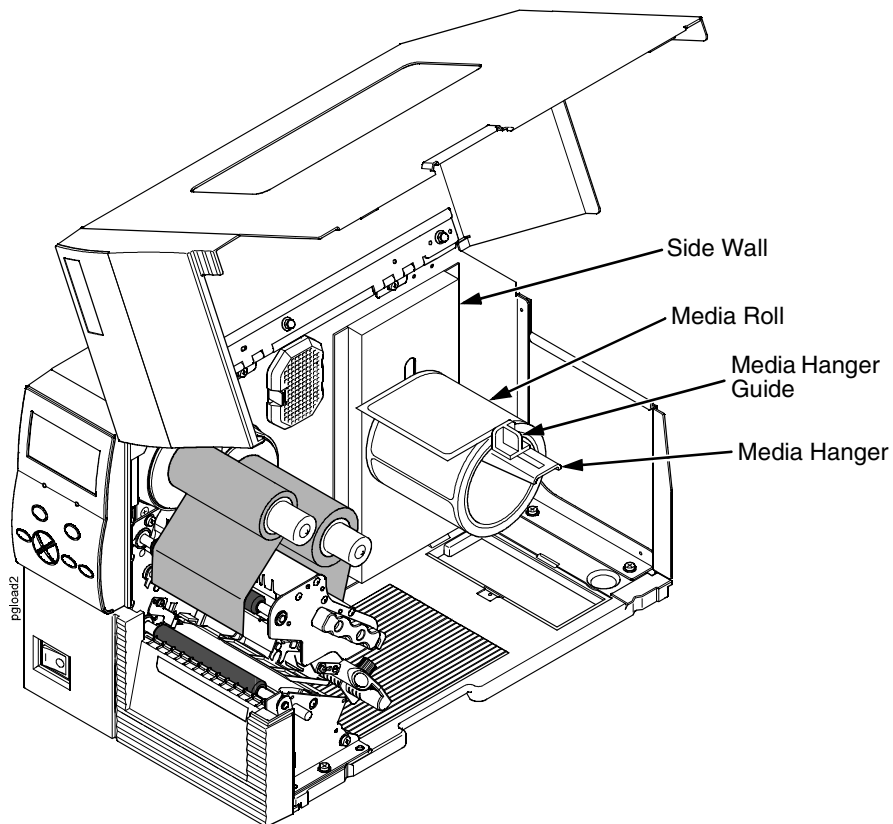


IMPORTANT

If you are using direct thermal mode, clean the printhead, platen roller, and upper and lower media sensors every time you change the media. Refer to the *User's Manual*.

1. Slide the media hanger guide outward to the end of the media hanger (as shown).

Load Roll Media

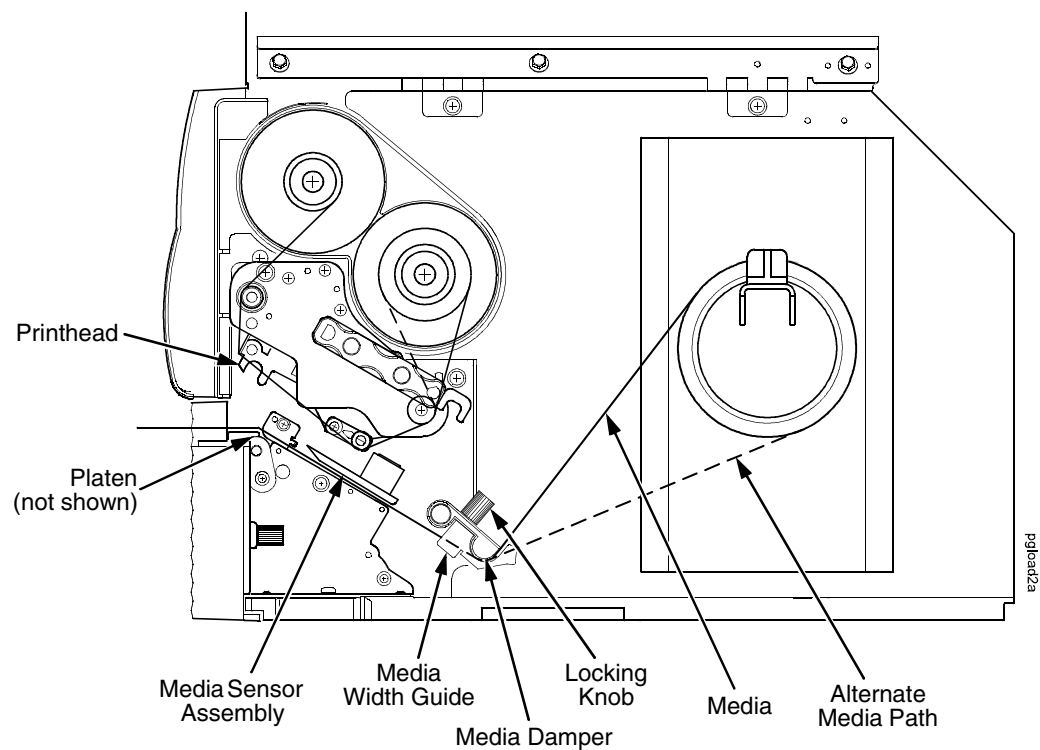


2. Place the media roll onto the media hanger and slide the media roll until it is flush with the printer's side wall.

NOTE: For information regarding smart labels, refer to the *RFID Labeling Reference Manual*.

3. Slide the media hanger guide against the media roll to prevent horizontal travel.

Loading Ribbon And Roll Media



4. Thread the media under the media damper, through the media sensor assembly, and then between the platen and the printhead.

NOTE: If you have a standard peel, label or liner rewinder, refer to the *User's Manual* for proper threading instructions.

NOTE: The alternate media path is for inside wound label media.

CAUTION

If the media width guide locking knob is too loose or is removed, the media width guide will fall off the printer.

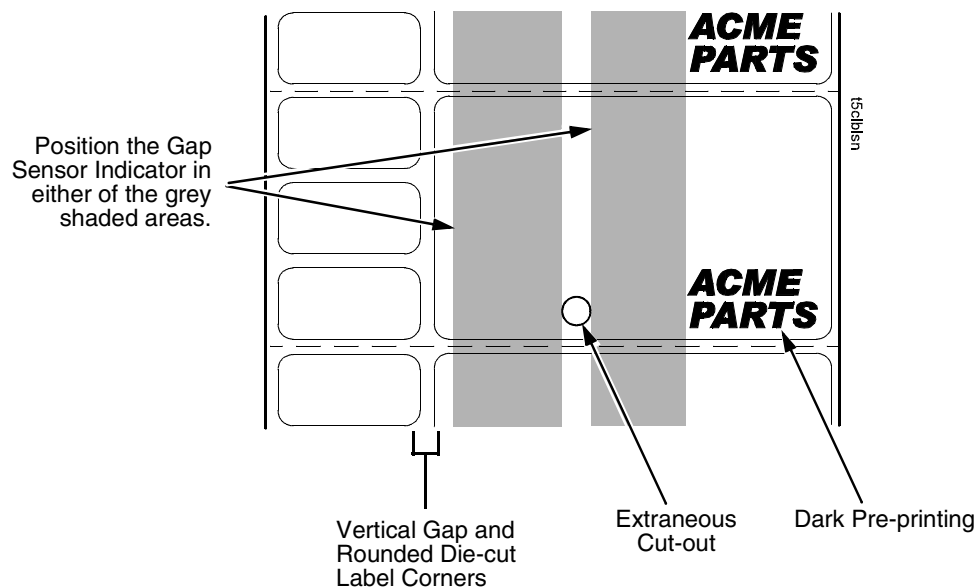
5. Turn the media width guide locking knob counterclockwise just enough to slide the media width guide, and no more.
6. Position the media width guide lightly against the outside edge of the installed media and tighten the locking knob by turning it clockwise.

Position The Media Sensor Assembly

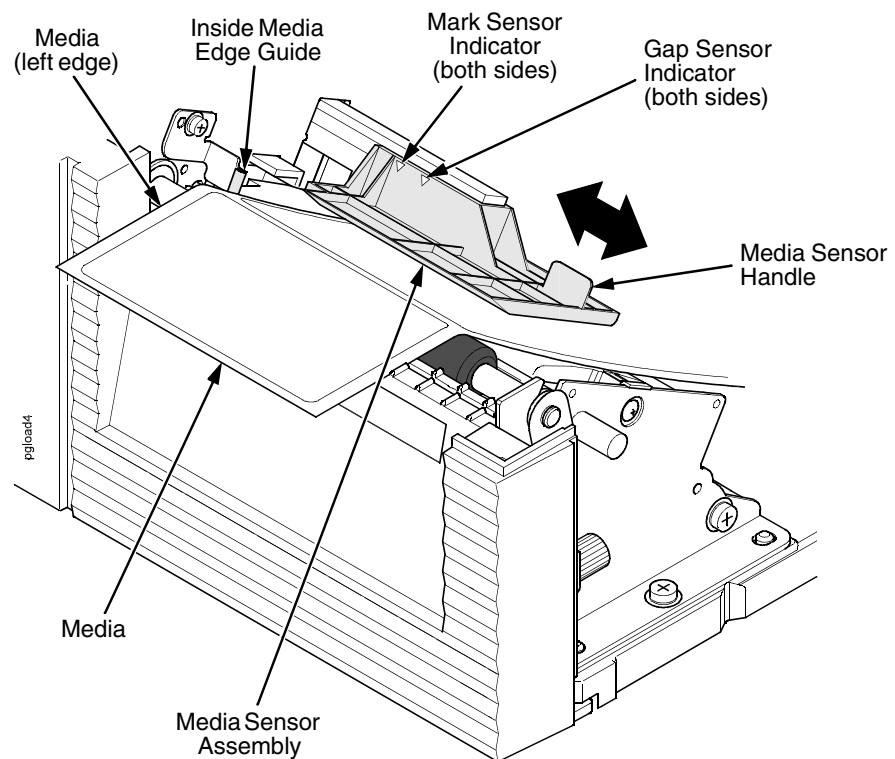
Position The Media Sensor Assembly

Your printer is equipped with a media sensor assembly that detects the top-of-form position on media with label length indicators (gaps, notches, holes, or black marks). See page 14.

The media sensor should not be placed in the path of media features that could cause false gap detection or paper out faults. Such features are dark pre-printing, rounded die-cut label corners, vertical gaps associated with side-by-side labels, and extraneous cut-outs, as shown below.



Loading Ribbon And Roll Media

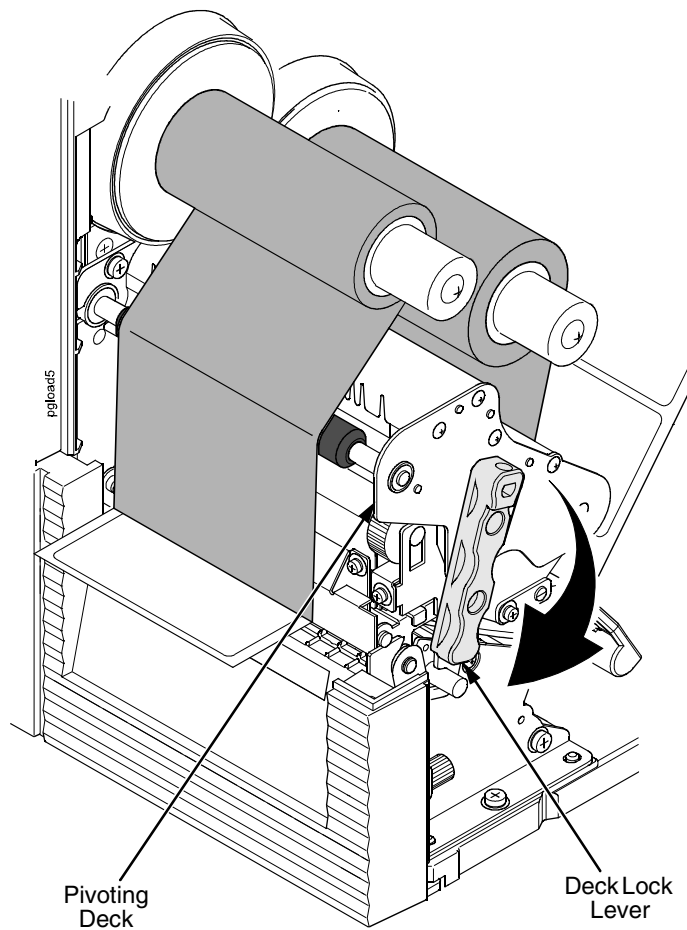


1. Align the left (inside) edge of the media with the inside media edge guide.
2. If the label has no special label length indicators, leave the media sensor assembly in the factory position.

Otherwise, use the media sensor handle to horizontally position the media sensor assembly so that the sensor indicators embossed on both of its sides are aligned with the label length indicators on the media.

Use the Mark Sensor Indicator for media with black marks and the Gap Sensor Indicator for media with gaps, notches, or holes.

Position The Media Sensor Assembly



3. Rotate the deck lock lever fully clockwise to close the pivoting deck.
4. If you have an RFID encoder, you may need to adjust the coupler. (Refer to the *RFID Labeling Reference Manual*.)
5. Lower the media cover.

Controls And Indicators

Controls And Indicators

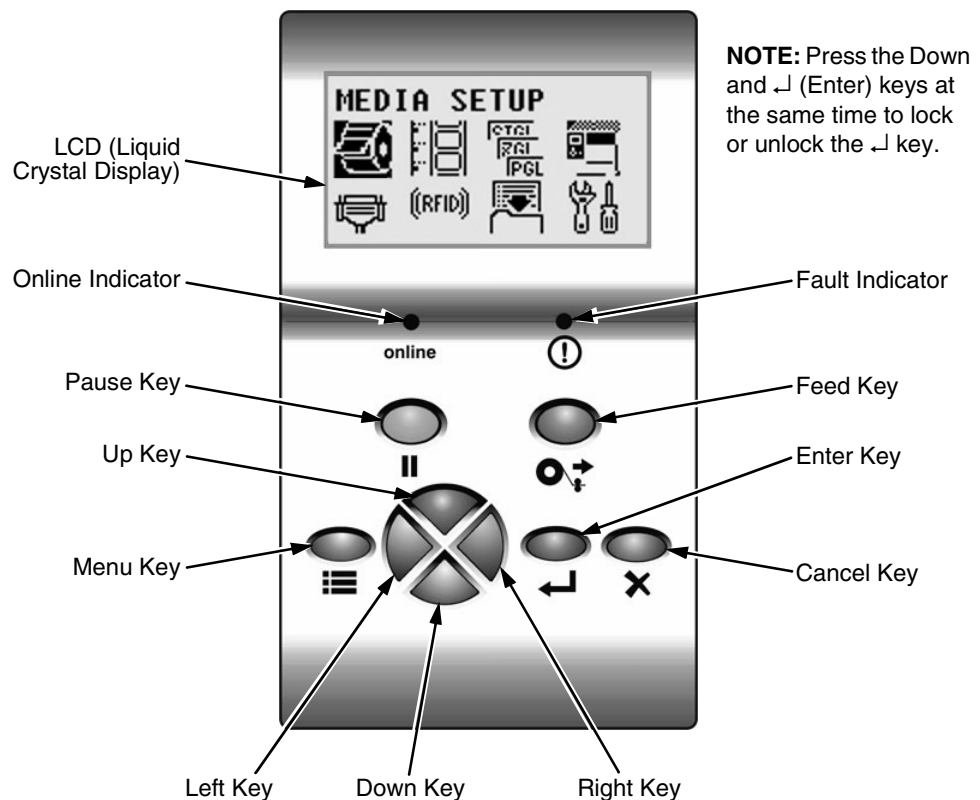
Power Switch

The power switch is located on the bottom front panel of the printer. To apply power, place the switch in the I (On) position. When you first power on the printer, a series of initialization messages appears on the LCD (Liquid Crystal Display) on the control panel.

To remove power, place the power switch in the O (Off) position.

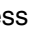






Control Panel

The control panel is located on the front of the printer and includes an LCD, indicators, and control keys (buttons).




Run A Barcode Demo Test

Before you send an actual print job, run a bar code demo test:

1. Set the printer power switch to I (On).
2. When ONLINE or OFFLINE displays on the printer's LCD, press  to enter Menu mode.
3. Press the Down and  keys at the same time until THE  KEY IS UNLOCKED displays.
4. Press the Right key until  DIAGNOSTICS displays.
5. Press  to enter the  DIAGNOSTICS menu. The Printer Tests submenu is selected.
6. Press the Right key until Barcode Demo displays.
7. Press . The printer will go online, and the Barcode Demo test pattern will start and print two bar codes.
8. If desired, you can run additional printer tests, such as Grey, Grid, and Checkerboard. See step 2 above to start other tests.
9. If you encounter print quality problems, refer to "Printhead Adjustments" in the *User's Manual* (located on the CD-ROM included with this book).

Hidden Menus

By default, menu items for advanced users are hidden (they do not appear in the menu structure). To display these hidden menus, set Admin User to Enable (in the  PRINTER SETUP menu).

Run The Printer Setup Wizard

Run the Printer Setup Wizard (located on the CD-ROM) to install the printer drivers and to configure the printer.

Contact Information

Contact Information

Printronix Customer Support Center

IMPORTANT

Please have the following information available prior to calling the Printronix Customer Support Center:

- Model number
- Serial number (located on the back of the printer)
- Installed options (i.e., interface and host type if applicable to the problem)
- Configuration printout (refer to the *User's Manual*)
- Is the problem with a new install or an existing printer?
- Description of the problem (be specific)
- Good and bad samples that clearly show the problem (faxing of these samples may be required)

Americas (714) 368-2686

Europe, Middle East, and Africa (31) 24 6489 311

Asia Pacific (65) 6548 4114

<http://www.primtronix.com/support.aspx>

Printronix Supplies Department

For optimal print quality and printhead life, always use Genuine Printronix Ribbons and Labels. Contact your local Printronix supplies reseller or contact Printronix at:

Americas (800) 733-1900

Europe, Middle East, and Africa (33) 1 46 25 1900

Asia Pacific (65) 6548 4116
or (65) 6548 4182

<http://www.primtronix.com/supplies-parts.aspx>

Corporate Offices

Printronix, Inc.
14600 Myford Road
P.O. Box 19559
Irvine, CA 92623-9559
Phone: (714) 368-2300
Fax: (714) 368-2600

Printronix, Inc.
Nederland BV
P.O. Box 163, Nieuweweg 283
NL-6600 Ad Wijchen
The Netherlands
Phone: (31) 24 6489489
Fax: (31) 24 6489499

Printronix Schweiz GmbH
42 Changi South Street 1
Changi South Industrial Estate
Singapore 486763
Phone: (65) 6542 0110
Fax: (65) 6546 1588

Visit the Printronix web site at www.primtronix.com

For More Information

This *Quick Setup Guide* provides information for the setup of your printer. Refer to the *User's Manual* (located on the CD-ROM included with this book) for more detailed information including:

- Configuring the Printer
- Interfaces
- Diagnostics and Troubleshooting
- Printer Options
- Specifications
- Glossary of Terms

Communication Notices

This equipment has been tested and found to comply with the limits for a Class B digital device, pursuant to Part 15 of the FCC Rules. These limits are designed to provide reasonable protection against harmful interference in a residential installation. This equipment generates, uses, and can radiate radio frequency energy and, if not installed and used in accordance with the instructions, may cause harmful interference to radio communications. However, there is no guarantee that interference will not occur in a particular installation. If this equipment does cause harmful interference to radio or television reception, which can be determined by turning the equipment off and on, the user is encouraged to try to correct the interference by one or more of the following measures:

- Reorient or relocate the receiving antenna.
- Increase the separation between the equipment and receiver.
- Connect the equipment into an outlet on a circuit different from that to which the receiver is connected.
- Consult the dealer or an experienced radio/TV technician for help.

Unauthorized changes or modifications could void the user's authority to operate the equipment.

This device complies with part 15 of the FCC Rules. Operation is subject to the following two conditions: (1) this device may not cause harmful interference, and (2) this device must accept any interference received, including interference that may cause undesired operation.

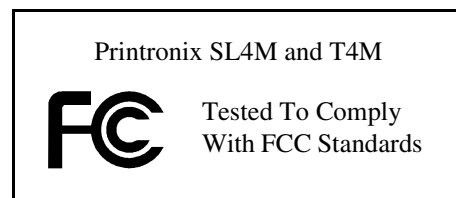
Any change or modification to this product voids the user's authority to operate it per FCC Part 15 Subpart A Section 15.21 regulations.

This product contains an intentional radiator with the following parameters:

Operating Frequency: 869.525 MHz (AWID 869), 910 to 914 MHz (AWID 910-914),
or 902 to 928 MHz (AWID 915)

Typical RF Power: 100 milliwatts

Maximum RF Power: 700 milliwatts



Canada

This Class B digital apparatus complies with Canadian ICES-003 and RSS 210.

Cet appareil numérique de la classe B est conforme à la norme NMB-003 du Canada.

Operation is subject to the following two conditions: (1) this device may not cause interference, and (2) this device must accept any interference, including interference that may cause undesired operation of the device.

This device has been designed to operate with the antennas listed below, and having a maximum gain of -12 dBi. Antennas not included in this list or having a gain greater than -12 dBi are strictly prohibited for use with this device. The required antenna impedance is 50 ohms.

To reduce potential radio interference to other users, the antenna type and its gain should be so chosen that the equivalent isotropically radiated power (e.i.r.p.) is not more than that permitted for successful communication.

CE Notice (European Union)

Marking by the CE symbol indicates compliance of this Printronix system to the EMC Directive and the Low Voltage Directive of the European Union. Such marking is indicative that this Printronix system meets the following technical standards:

- EN 300 220-3 (2000), Electromagnetic Compatibility and Radio Spectrum Matters; Short Range Devices; Radio equipment to be used in the 25 MHz to 1000 MHz frequency range with power levels ranging up to 500 mW.
- EN 55022 — “Limits and Methods of Measurement of Radio Interference Characteristics of Information Technology Equipment.”
- EN 55024 1998+A1: 2001 — “Electromagnetic compatibility—Generic immunity standard Part 1: Residential, commercial, and light industry.”
- EN 60950 — “Safety of Information Technology Equipment.”

This printer is a Class B product for use in a typical Class B residential and light industry environment.

CE Symbol



Declaration Of Conformity

Manufacturer: Printronix, Inc.
14600 Myford Rd.
Irvine, CA 92623 U.S.A.

declares that the product:

Product Type: Information Technology Equipment, Printer
Equipment Class: Commercial and Light Industrial
Model Numbers: SL4M, T4M with optional suffixes
Configuration: serial, parallel, external LAN, Ethernet, Wireless Ethernet, RFID, USB

conforms to the following standards:

Safety: EN 60950-1: 2001, First Edition
EMC: ETSI EN 301 489-1
ETSI EN 301 489-3
ETSI EN300 220-3 V1.1.1
EN 55022: 1998 +A1 Class B
EN 55024: 1998
EN 61000-4-2
EN 61000-4-3
EN 61000-4-4
EN 61000-4-5
EN 61000-4-6
EN 61000-4-8
EN 61000-4-11
EN 61000-3-2: 2000
EN 61000-3-3: 1995 +A1

and complies with:

The Low Voltage Directive 73/23/EEC and the EMC Directive 89/336/EEC.
The Radio & Telecommunication Terminal Equipment 1999/5/EC.

Taiwan

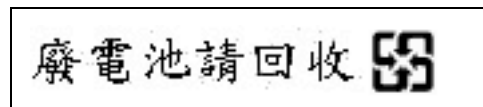
乙類

此設備經測試證明符合 BSMI(經濟部標準檢驗局)之乙類數位裝置的限制規定。這些限制的目
的是爲了在住宅區安裝時，能防止有害的干擾，提供合理的保護。此設備會產生、使用並散
發射頻能量；如果未遵照製造廠商的指導手冊來安裝和使用，可能會干擾無線電通訊。但是，
這並不保證在個別的安裝中不會產生干擾。您可以透過關閉和開啓此設備來判斷它是否會對
廣播和電視收訊造成干擾；如果確實如此，我們建議您嘗試以下列一種或多種方法來排除干
擾：

- 重新調整天線的接收方向或重新放置接收天線。
- 增加設備與接收器的距離。
- 將設備連接至不同的插座，使設備與接收器連接在不同的電路上。
- 請向經銷商或有經驗的無線電／電視技術人員查詢，以獲得幫助。

Lithium Battery Warning

If you have the optional real-time clock, then the controller board contains a lithium battery sealed inside the
real-time clock chip. Do not disassemble the chip to replace the battery. Do not dispose of the chip by
incineration. Failure to comply may cause the battery to explode. Contact your local waste agency for the
correct disposal procedure.



Printronix makes no representations or warranties of any kind regarding this material, including, but not limited
to, implied warranties of merchantability and fitness for a particular purpose. Printronix shall not be held
responsible for errors contained herein or any omissions from this material or for any damages, whether
direct, indirect, incidental or consequential, in connection with the furnishing, distribution, performance or use
of this material. The information in this manual is subject to change without notice.

This document contains proprietary information protected by copyright. No part of this document may be
reproduced, copied, translated or incorporated in any other material in any form or by any means, whether
manual, graphic, electronic, mechanical or otherwise, without the prior written consent of Printronix.

COPYRIGHT © 2006, 2007 PRINTRONIX, INC. All rights reserved.

Trademark Acknowledgements

Printronix is a registered trademark of Printronix, Inc.

SL4M and T4M are trademarks of Printronix, Inc.



251675-001B